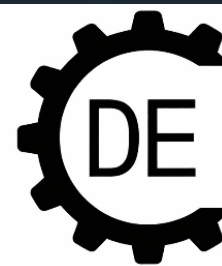


Quality it's a matter of
Attitude & Continuous Efforts



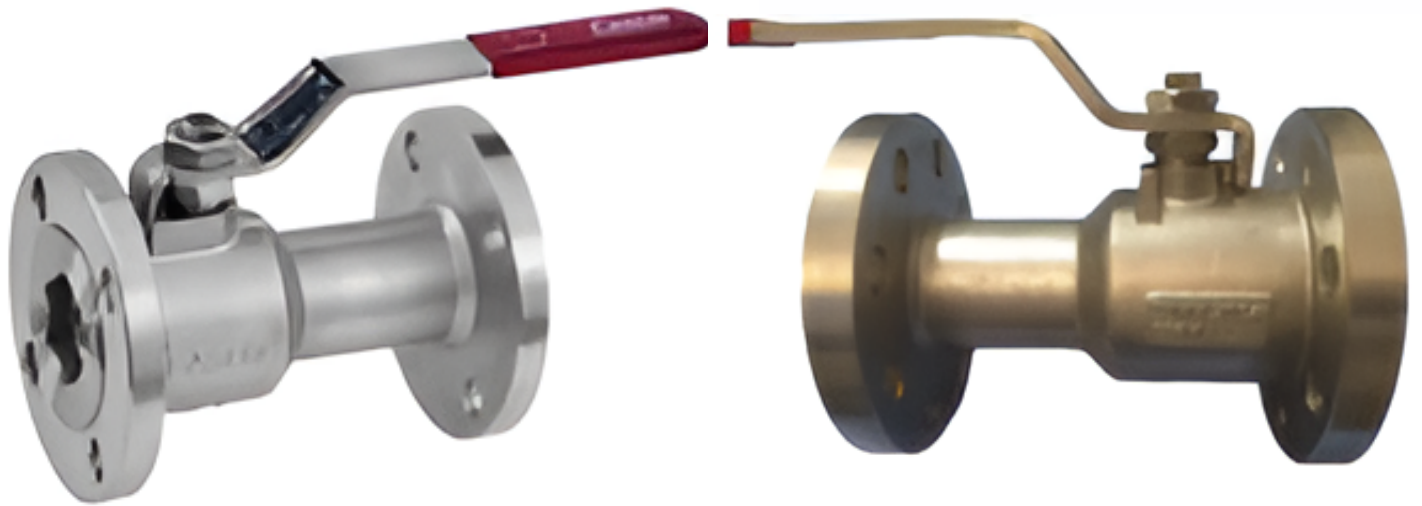
Durga Engineering Co.



All Type of :
Industrial Valves
Manufacturer &
Exporter



ABOUT US



BALL VALVE



J D Controls mfg. High performance Ball Valve as per international design and testing standard with total interchangeability, superior quality, workmanship & service. J D Controls mfg. Ball Valve in Single Piece / Two Piece / Three Piece Design to suit various critical, non-critical applications and pressure rating up to 800 class in both full bore & regular (reduce) bore design.

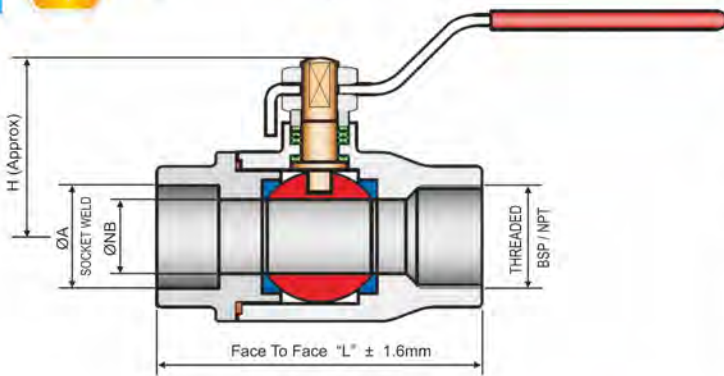
Ball valve, Two way, Screwed / Socket weld end, Full port

Standard of Compliance

- Design : BS EN ISO 17292 (BS 5351)/API 6D/ ASME B 16.34/BS EN ISO 12516
- Pressure Testing : API 598/API 6D/ BS EN 12266 I (BS 6755 Part I)
- Fire Testing : API 607/API 6FA/BS EN ISO 12266 Part II (BS 6755 Part II)
- Face To Face : ANSI B 16.10
- Flange Drilling : ANSI B16.5 Raised Face, Class 150/300
- Screwed End : ANSI B 1.20.1 (BSP/NPT)
- Socket Weld End : ANSI B 16.11
- Butt Weld End : ANSI B 16.25

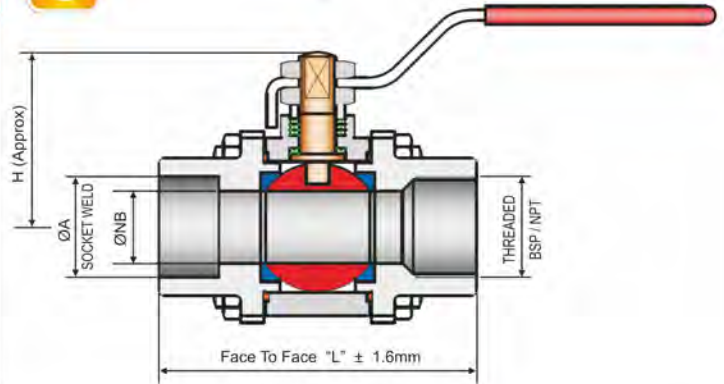
1

Single Piece Design



3

Three Piece Design



Size	Inch	1/2"	3/4"	1"	1 1/4"	1 1/2"	2"	2 1/2"	3"	4"
DN	15	20	25	32	40	50	65	80	100	125
L	64	70	84	96	107.5	122	142	158	178	198
ØA	21.7	27.1	33.8	43.2	48.6	61.1	73.5	90.5	116.1	141.3
ØNB	12.5	19	25	32	38	50	63	75	100	125
H	41	49	58	72	77	86	102	112	145	178

Size	Inch	1/2"	3/4"	1"	1 1/4"	1 1/2"	2"
DN	15	20	25	32	40	50	65
L	65	75	85	101	114	125	145
ØA	21.7	27.1	33.8	43.2	48.6	61.1	73.5
ØNB	12.5	19	25	32	38	50	63
H	41	49	58	72	77	86	102

Material of Construction:

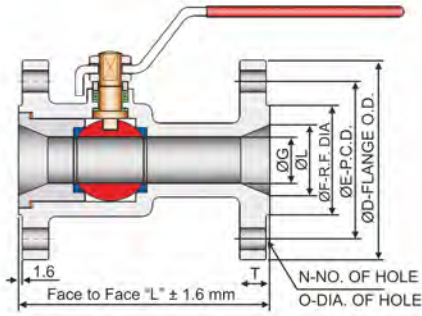
Body & End Piece	ASTM A 216 GR. WCB/ A 351 GR. CF 8/8M/CF 3/3M
Ball	A 351 GR. CF 8/8M/CF 3/3M
Stem	AISI 304/316/304L/316L
Seat & Seal	PTFE/GFT/CFT
Stud & Nut	C.S./B7/2H/SS 304/316

Test Pressure (Kg./Cm ²)				
Test	Hydraulic			Air
Class	150#	300#	800#	-
Body	30	79	211	-
Seat	21	58	141	5.6

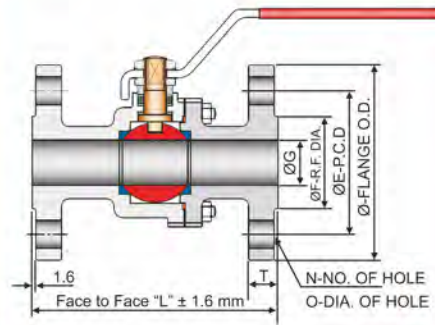
BALL VALVE

TWO WAY, FLANGED END, FULL PORT |

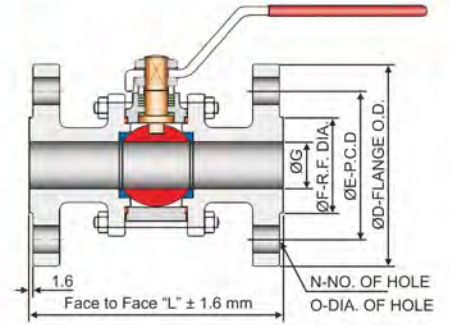
1 Single Piece Design Reduce Bore



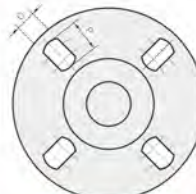
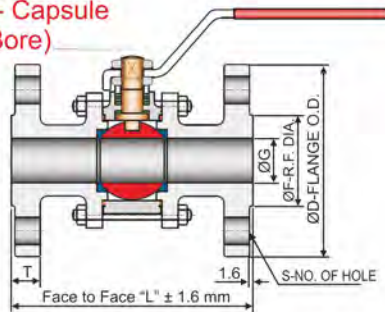
2 Two Piece Design Full Bore



3 Three Piece Design Full Bore



3 Three Piece Design, UG Series - Capsule Hole (Full Bore)



UG Series Ball Valve
Suitable for Class 150 / B6 10 Table
D/E/F/ PN 10/16 Flange Standard



Dimensions (150 Class)

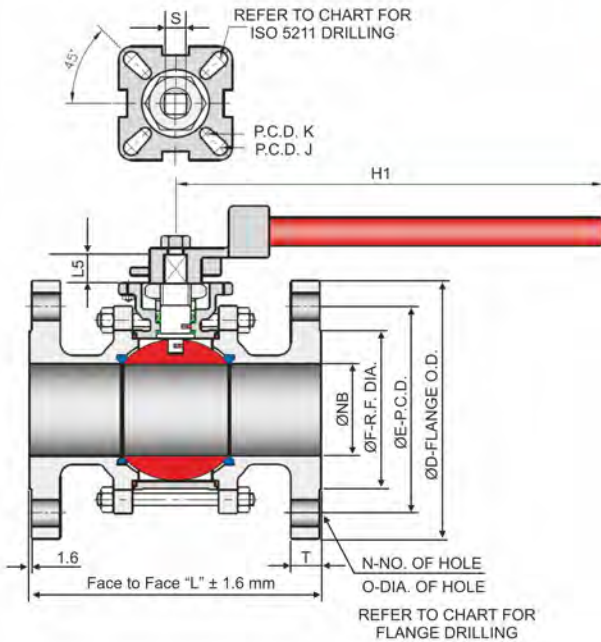
Size	Inch DN	1/2"	3/4"	1"	1 1/4"	1 1/2"	2"	2 1/2"	3"	4"	5"	6"	8"
L-F to F		107.9	117.3	127	139.7	165.1	177.8	192	203	229	254	267	292
ØG-NB		12.5	19	25	32	38	50	63	75	100	125	150	200
ØD		89	98.5	108	117.3	127	152.4	177.8	190.5	228.6	254	279	343
ØE		60.3	69.8	79.3	88.9	98.4	120.6	139.7	152.4	190.5	215.9	241.3	298.4
ØF		35	43	50.8	63.5	73	92.1	104.7	127	157.2	185.7	215.9	269.9
N		4	4	4	4	4	4	4	4	8	8	8	8
ØO		15.8	15.8	15.8	15.8	15.8	19	19	19	19	22.5	22.2	22.2
T		10.2	10.5	11.2	14.2	14.5	15.8	17.5	19	23.8	23.8	25.4	28.4
ØL		9.5	12.5	19	25	32	38	50	63	75	100	125	150
ØP		-	-	120	-	139.5	165	183	201	228.5	-	-	-
Q		-	-	16	-	16	19	19	19	19	-	-	-
R		-	-	20	-	20	26	28	28	26	-	-	-
S		-	-	4	-	4	4	4	8	8	-	-	-



ASME CLASS 150 & CLASS 300, FULL BORE

Size Range : 1/2" to 12" / DN 15 to DN 300

J D Automation series ball valve accepts an actuator or gear box can be bolted directly on the mounting pad (as per ISO 5211) of the valve body. No. extra brackets/couplers are required. The bottom of the actuator rests on the mounting pad of the valve. There are no external moving parts. The coupler/adaptor is less subjected to corrosion. An external bracket does not exist to create surfaces that may be untrue. This design alleviates a number of problems mentioned above.



*Also available in 2 Pc Design

Series AS-71, Full Bore Class 150, Flanged End											ISO 5211			
Size		L	ØNB	ØD	ØF	Flange Drilling			T	H1	PCD J	PCD K	L5	S
INCH	DN					ØE	N	ØO						
1/2"	15	108	14	89	35	60.3	4	15.8	9.6	150	F03/36	F04/42	9	9
3/4"	20	117	20	98.5	43	69.8	4	15.8	10.4	150	F03/36	F04/42	9	9
1"	25	127	25	108	51	79.4	4	15.8	11.1	195	F04/42	F05/50	11	11
1 1/2"	40	165	38	127	73	98.4	4	15.8	14.2	235	F05/50	F07/70	15	14
2"	50	178	50	152.4	92	120.6	4	19	15.7	265	F05/50	F07/70	15	14
2 1/2"	65	190	63	177.5	105	139.7	4	19	17.5	305	F07/70	F10/102	18	17
3"	80	203	75	190.5	127	152.4	4	19	19	340	F07/70	F10/102	18	17
4"	100	229	100	228.6	157	190.5	8	19	23.8	395	---/85	F10/102	23	22
6"	150	267	150	279.4	216	241.3	8	22.2	25.4	580	F12/125	F14/140	28	27

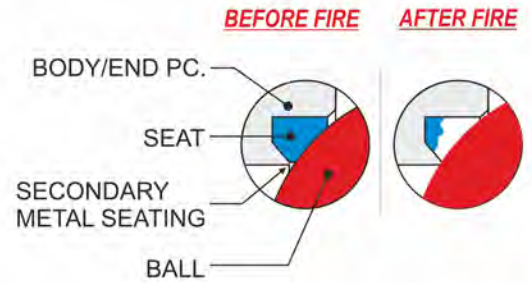
*Contact Factory for More Size Dimensions

Series AS-72, Full Bore Class 300, Flanged End

*Contact Factory for Class 300 Dimensions

FIRE SAFE DESIGN

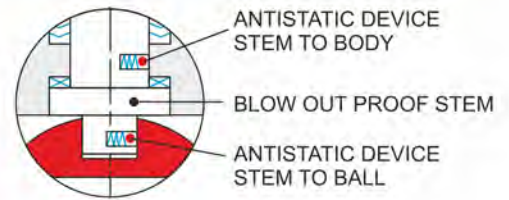
The FIS21-22 Series Fire Safe valves are designed and tested as per the requirements of API 607 & BS EN ISO 12266-II Standard. The ball valves have soft seat rings. In the event of fire, a secondary metal seat located on the body comes in direct contact with the ball on burnout of the soft parts ensuring continued sealing. The anti static fire safe stem incorporates a machined fire lip, which will prevent leakage once the thrust seal is burned off.



ANTISTATIC DEVICE

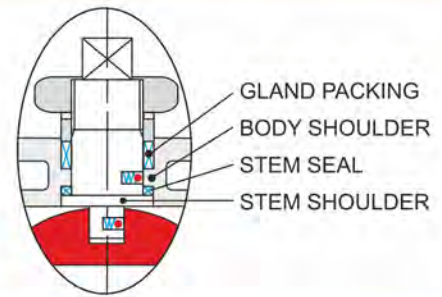
When Static electric charge is generated due to high velocity and friction of fluid layers and concentrated on the valve, the spring loaded ball is coupled with installed on the stem which keeps continuity throughout the valve and discharges the static current

This eliminates the possibilities of fire hazard, especially while handling inflammable fluids



BLOW-OUT PROOF STEM

All JD Ball Valves have bottom entry stem design which features stem insertion from inside the body. An integral shoulder on the stem sits against the shoulder in the body, giving it blow-out proof integrity. In case of higher pressure line, functioning as the back seat for assured stem sealing. This design offers safety features superior to top-entry stem design where the line pressure works to break the stem seating.



FLOATING BALL

A floating ball design offers efficient sealing with simple construction. As the name indicates, the ball has some freedom to move along the axis of the pipeline, which offers efficient downstream sealing. When line pressure is applied to the closed ball, it moves slightly (or floats) downstream to maintain contact with the downstream seat where primary sealing occurs. A quarter turn motion from full open to full close ensures quick open-close action, an inherent advantage for automatic remote control application. Floating ball valve offers effective bidirectional sealing.

MIRROR FINISHED S.S. BALLS

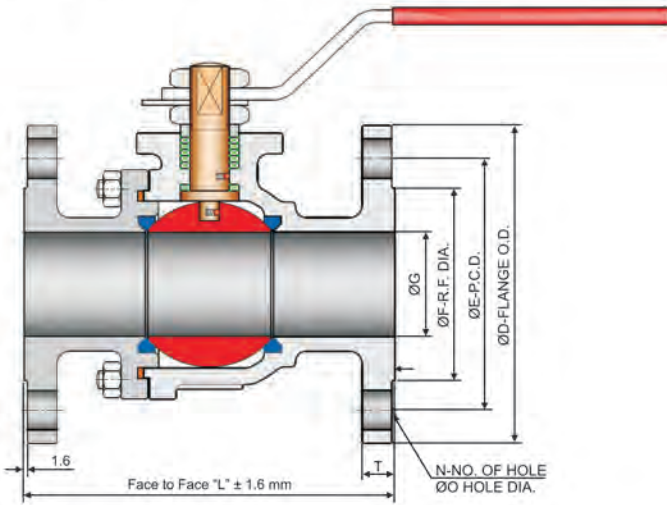
All JD Ball Valves are available in Floating & Trunnion Mounted Design. The standard supply includes, Floating Ball design, where sealing takes place by allowing ball to move under pressure towards the down stream seat to achieve positive tight shut-off. JD stainless steel balls are manufactured to very close sphericity tolerances and are mirror finished.



JD Ball Valves are designed to meet the requirements of API 607 / BS EN 12266-II. Fires Safe Tests have been witnessed & certified by Bureau Veritas (I) Pvt. Ltd.



2/3 PC. DESIGN, FULL BORE, FLANGED END



Series FIS-21, Class 150, Flanged End

Size	Inch DN	1/2"	3/4"	1"	1 1/2"	2"	2 1/2"	3"	4"	6"	8"	10"	12"
L-F to F-Short		107.9	117.3	127	165.1	177.8	192	203	229	267	292	330	-
L1-F to F-Long		-	-	-	-	-	-	-	-	394	457	533.4	609.6
ØG-NB		12.5	19	25	38	50	63	75	100	150	200	250	300
ØD		89	98.5	108	127	152.6	177.8	190.5	228.6	279	343	406	483
ØE		60.3	69.8	79.3	98.4	120.6	139.7	152.4	190.5	241.3	298.4	362	431.8
ØF		35	43	50.8	73	92.1	104.7	127	157.2	215.9	269.9	323.8	381
N		4	4	4	4	4	4	4	8	8	8	12	12
ØO		15.8	15.8	15.8	15.8	19	19	19	19	22.2	22.2	25.4	25.4
T		10.2	10.5	11.2	14.5	15.8	17.5	19	23.8	25.4	28.4	30.23	31.75

Series FIS-22, Class 300, Flanged End

Size	Inch DN	1/2"	3/4"	1"	1 1/2"	2"	2 1/2"	3"	4"	6"	8"	10"	12"
L-F to F-Short		140	152	165	190	216	241	282	305	403	419	457.2	502
L1-F to F-Long		-	-	-	-	-	-	-	-	-	502	568	647.7
ØG-NB		12.5	19	25	38	50	63	75	100	150	200	250	300
ØD		95.2	117.3	124	155.4	165.1	190.5	209.5	254	317.5	381	444.5	520.7
ØE		66.5	82.55	88.9	114.3	127	149.3	168.1	200.1	269.7	330.2	387.3	450.7
ØF		35	43	50.8	73	92.1	104.7	127	157.2	215.9	269.9	323.8	381
N		4	4	4	4	8	8	8	8	12	12	16	16
ØO		15.8	19	19	22	19	22	22	22	22	25.4	28.4	31.7
T		14.2	15.75	17.5	20.57	22.35	25.4	28.44	31.75	36.57	41.15	47.75	50.8

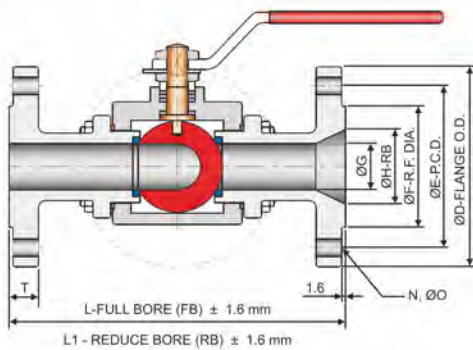
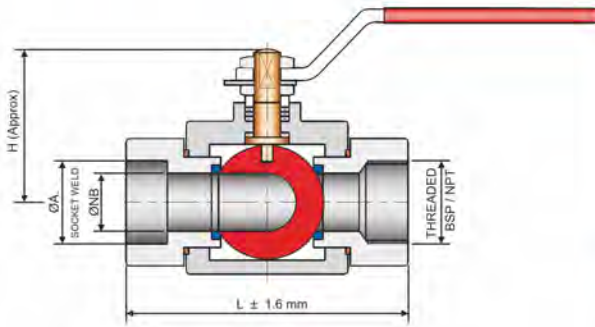
Series FIS-23, Class 600, Flanged End

*Contact Factory for Class 600 Dimensions



Regular Series

Automation Series



J D Multiport Ball Valves are ideal choices for many piping designs involving diverting or mixing. In certain applications a single valve can replace two, three, or four 2-way valves, reducing cost and saving space indirectly reducing stress on pipe line.

J D Controls offers a tremendous value in multi-port three and four way valves. Our Multiport Ball Valve selection covers Full Port & Regular (Reduce) Port, Flanged, Screwed, Socket Weld and Butt Weld (Welded Neck) End with Manual Hand Lever, Gear or Pneumatic Actuated in size range from 1/2" to 12" & Pressure Rating up to class 600.

Series MP-81, Class 150, Screwed/Socket Weld End

Size	Inch	1/2"	3/4"	1"	1 1/4"	1 1/2"	2"
	DN	15	20	25	32	40	50
L-F to F		80	90	108	121	143	169
ØA		21.7	27.1	33.8	42.7	48.6	61.1
ØNB		12.5	19	25	32	38	50
H		51	62	73	80	85	96

Series MP-82, Class 300, Screwed/Socket Weld End

*Contact Factory for Class 300 Dimensions

Series MP-83, Class 150, Flanged End

Size	Inch	1/2"	3/4"	1"	1 1/2"	2"	2 1/2"	3"	4"	6"
	DN	15	20	25	40	50	65	80	100	150
L-Full Bore		124	142	165	215	245	295	325	380	450
L1-Reduce Bore		-	-	142	165	215	245	295	325	380
ØG-Full Bore		12.5	19	25	38	50	63	75	100	150
ØG-Reduce Bore		-	-	19	25	38	50	63	75	100
ØH-Reduce Bore		-	-	25	38	50	63	75	100	150
ØD		89	98.5	108	127	152.4	177.8	190.5	228.6	279
ØE		60.3	69.8	79.3	98.4	120.6	139.7	152.4	190.5	241.3
ØF		35	43	50.8	73	92.1	104.7	127	157.2	215.9
N		4	4	4	4	4	4	4	8	8
ØO		15.8	15.8	15.8	15.8	19	19	19	19	22.2
T		10.2	10.5	11.2	14.5	15.8	17.5	19	23.8	25.4

Series MP-84, Class 300, Flanged End

*Contact Factory for Class 300 & Higher Size Dimensions

3 Three Way Ball Valve (Four Seated) L / T Port Reduce/Full Bore, Flanged End

Three Way Ball Valve is available in "L" Port / "T" Port to meet the service condition. The Three Way "L" Port Ball Valve also called as a Mixing and Diverting Valve.

J D Multiport 3 Way Ball valves utilize four seats to support the ball, and to provide positive shutoff at any closed port. Multiple Gland Packing Seal & Spring Washer gives zero leakage from gland portion.

Different Position of "L" Port

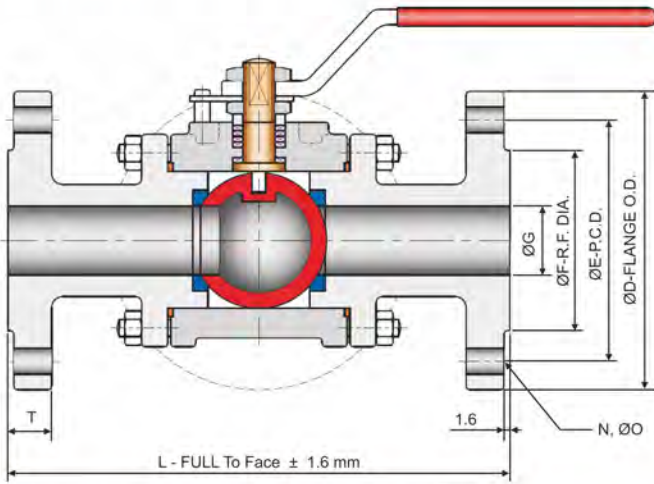


Different Position of "T" Port



THREE WAY BALL VALVE (TWO SEATED) | ▾

L PORT (DIVERTER VALVE)
FULL BORE, FLANGED END



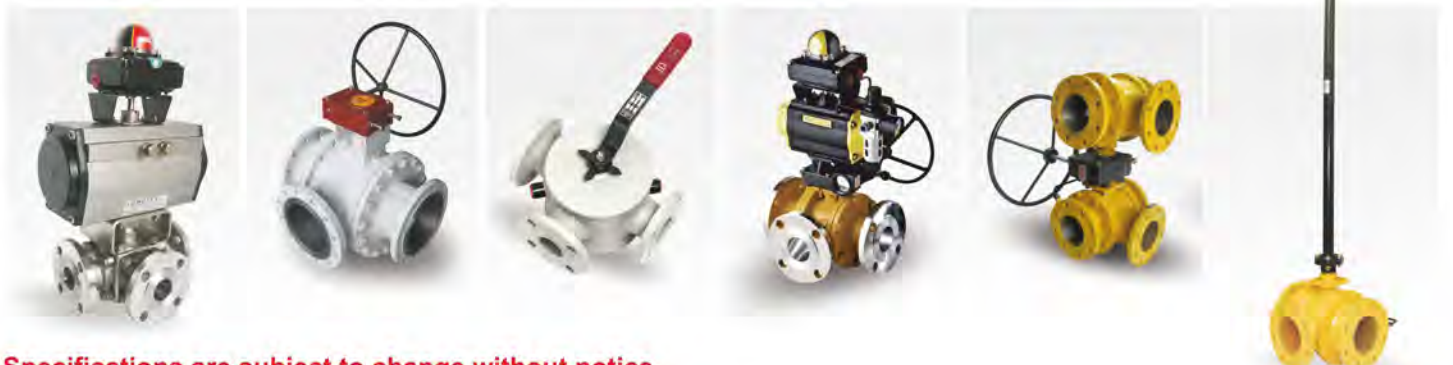
Series MP-85, Class 150, Flanged End

Size	Inch DN	½"	¾"	1"	1½"	2"	2½"	3"	4"	5"	6"	8"	10"	12"
L-F to F		124	142	165	215	245	295	325	380	400	450	600	730	880
ØG-NB		12.5	19	25	38	50	63	75	100	125	150	200	250	300
ØD		89	98.5	108	127	152.4	177.8	190.5	228.6	254	279	343	406	483
ØE		60.3	69.8	79.3	98.4	120.6	139.7	152.4	190.5	215.9	241.3	298.4	362	431.8
ØF		35	43	50.8	73	92.1	104.7	127	157.2	185.7	215.9	269.9	323.8	381
N		4	4	4	4	4	4	4	8	8	8	8	12	12
ØO		15.8	15.8	15.8	15.8	19	19	19	19	22.5	22.2	22.2	25.4	25.4
T		10.2	10.5	11.2	14.5	15.8	17.5	19	23.8	23.8	25.4	28.4	30.23	31.75

Series MP-86, Class 300, Flanged End

Size	Inch DN	½"	¾"	1"	1½"	2"	2½"	3"	4"	5"	6"	8"	10"	12"
L-F to F		132	153	178	220	260	311	344	400	422	473	625	765	918
ØG-NB		12.5	19	25	38	50	63	75	100	125	150	200	250	300
ØD		95.2	117.3	124	155.4	165.1	190.5	209.5	254	279.4	317.5	381	444.5	520.7
ØE		66.55	82.55	88.9	114.3	127	149.35	168.14	200.15	234.95	269.74	330.2	387.35	450.85
ØF		35	43	50.8	73	92.1	104.7	127	157.2	185.6	215.9	269.9	323.8	381
N		4	4	4	4	8	8	8	8	8	12	12	16	16
ØO		15.8	19	19	22	19	22	22	22	22	22	25.4	28.4	31.7
T		14.2	15.75	17.5	20.57	22.35	25.4	28.44	31.75	35.05	36.57	41.15	47.75	50.8

Photo Gallery



Specifications are subject to change without notice.

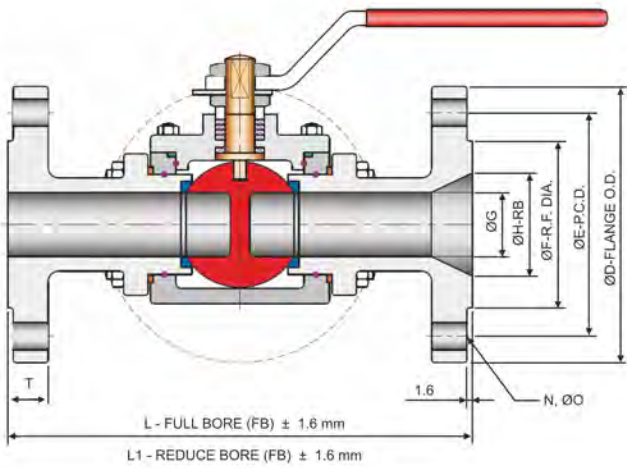
Four way BALL VALVE (FOUR SEATED)

REDUCE / FULL BORE, FLANGED END | ✓

J D Controls mfg. Four Way Ball Valve with wide range of port selection to suit various process applications.

Regular Series

Automation Series



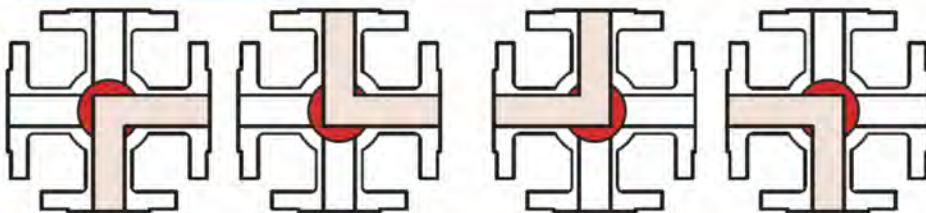
Series MP-91, Class 150, Flanged End

Series MP-92, Class 300, Flanged End

Size	Rating	Class 150							Class 300						
		Inch	1"	1½"	2"	2½"	3"	4"	6"	1"	1½"	2"	2½"	3"	4"
	DN	25	40	50	65	80	100	150	25	40	50	65	80	100	150
L-Full Bore		165	215	245	295	325	380	450	178	220	260	311	344	400	473
L-Reduce Bore		-	-	-	245	295	325	380	-	178	220	260	311	344	400
ØG-Full Bore		25	38	50	63	75	100	150	25	38	50	63	75	100	150
ØG-Reduce Bore		-	-	-	50	63	75	100	-	25	38	50	63	75	100
ØH-Reduce Bore		-	-	-	63	75	100	150	-	38	50	63	75	100	150
ØD		108	127	152.4	177.8	190.5	228.6	279	124	155.4	165.1	190.5	209.5	254	317.5
ØE		79.3	98.4	120.6	139.7	152.4	190.5	240.3	88.9	114.3	127	149.3	168.1	200.1	269.7
ØF		50.8	73	92.1	104.7	127	157.2	215.9	50.8	73	92.1	104.7	127	157.2	215.9
N		4	4	4	4	4	8	8	4	4	8	8	8	8	12
ØO		15.8	15.8	19	19	19	19	22.2	19	22	19	22	22	22	22

*Contact factory for more Size & Rating dimensions

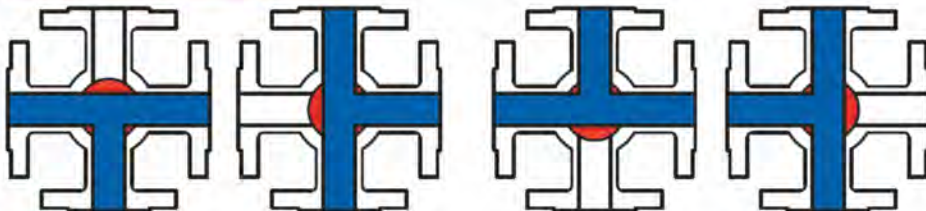
Different Position of "L" Port



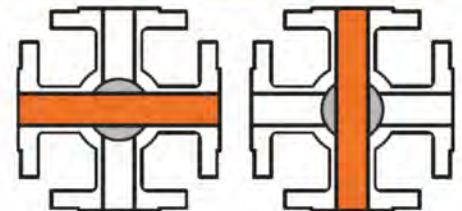
Different Position of Double "L" Port



Different Position of "T" Port



Different Position of "Straight" Port

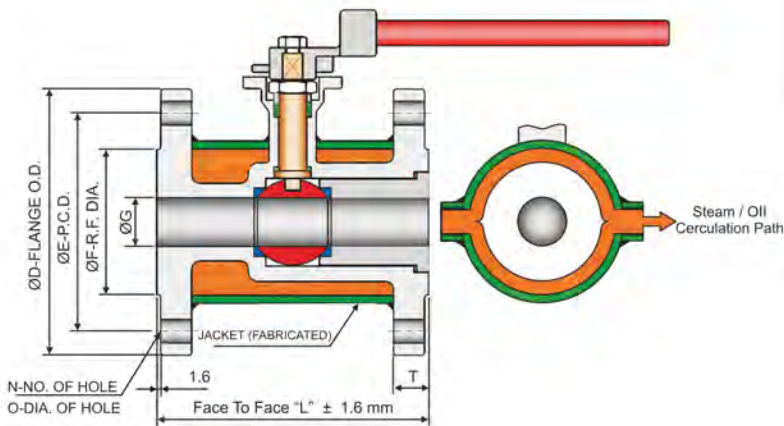


JACKETED BALL VALVE

J D Controls offers a range of Fully Jacketed Ball Valves. The jacket covers the body from one flange to the other flange. The body is modified by adding oversize flanges. As example: 2" x 3" Jacketed Ball Valve has the nominal bore of 2" (DN 50) and the flange size is 3"(DN 80). It allows enough space for bolting clearance.

The Jackets assure consistent valve Heating or Cooling of the process media to prevent crystallization (solidification) or seizing of flow media and maintains the temperature of media. This applies specially to media like bitumen and liquid sulfur. In addition, the efficient flow of media is ensured through the elimination of pockets.

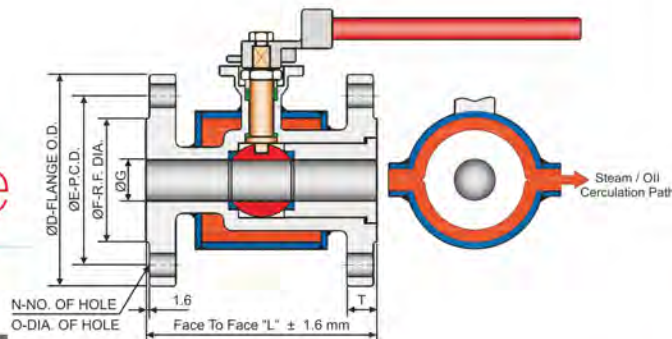
J D Controls testing every jacketed valve again after the Jackets have been welded (Fabricated) to the body. Jacket Hydraulic & Air Test is carried out at 6.0 Kg. / Cm².



Dimensions (150 Class) All Dimension Are In MM

Size	15x25	25x40	25x50	40x65	50x80	65x100	80x100	100x150	150x250
LF to F	127	165.1	177.8	192	203	229	229	267	330.2
ØG-NB	12.5	25	25	40	50	63	75	100	150
ØD	108	127	152.4	177.8	190.5	228.6	228.6	279	406
ØE	79.2	98.5	120.6	139.7	152.4	190.5	190.5	241.3	361.95
ØF	50.8	73	92.1	104.7	127	157.2	157.2	215.9	323.08
N	4	4	4	4	8	8	8	8	12
ØO	15.8	15.8	19	19	19	19	19	22	25.4
T	11.1	14.3	15.8	17.7	19	23	23	25.4	30.23

Half Jacketed Ball valve



Series-JK1002, Dimensions (Class 150)

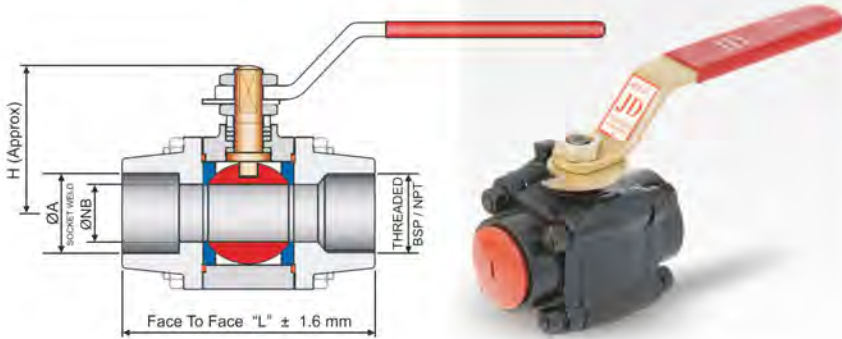
Size	Inch DN	2"	2½"	3"	4"	5"	6"	8"
L-F to F		50	65	80	100	125	150	200
ØG-NB		177.8	192	203	229	254	267	292
ØD		50	63	75	100	125	150	200
ØE		152.4	177.8	190.5	228.6	254	279	343
ØF		120.6	139.7	152.4	190.5	215.9	241.3	298.4
ØG		92.1	104.7	127	157.2	185.7	215.9	265.9
N		4	4	4	8	8	8	8
ØO		19	19	19	19	22.5	22.2	22.2
T		15.8	17.5	19	23.8	23.8	25.4	28.4

J D Forged Steel Valves have been proven in service application for over eight years. J D offers a wide range of Forged Steel Ball, Gate, Globe and Check Valves in reduced bore with Screwed, Socket Weld End & Butt Weld End Connection.

J D Forged Steel Valves available with wider choice of body and trim materials.

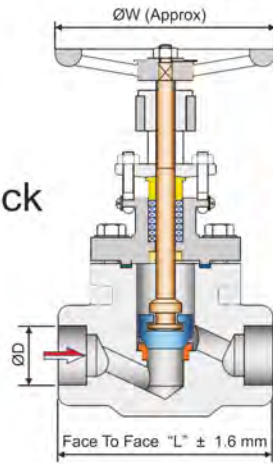
Forged Steel Ball Valve, Rating 800 Class

Three P/c. Design Reduce (Regular) Bore, Screwed / Socket Weld End

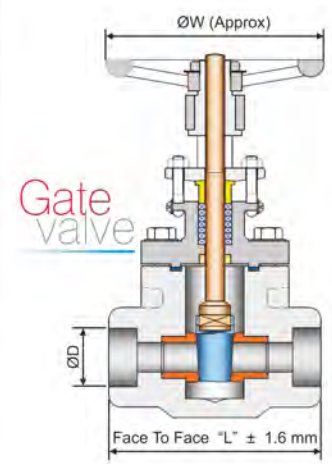


Dimension (Class 800) Reduce Bore							
Size	Inch	1/2"	3/4"	1"	1 1/4"	1 1/2"	2"
	DN	15	20	25	32	40	50
L		72	76	92	115	115	127
ØA		21.7	27.1	33.8	42.7	48.6	61.1
ØNB		9	13.5	20	29	29	37
H		41	45	53	70	70	74

**Forged Steel
Globe/Gate/Check
valve**

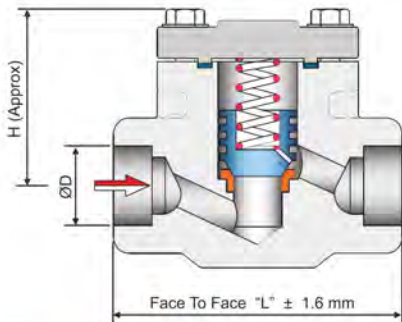


Globe valve



Gate valve

**Check
valve**



Gate/Globe/Check Valve Dimensions [800 Class]					
SIZE	15	20	25	40	50
L	85	92	106	122	140
ØD	21.7	27.1	33.8	48.6	61.1
ØW	95	95	95	150	150

Applications:

- Thermal & Nuclear Power Plant
- Distillery Plant
- Pulp & Paper Mill
- Textile & Process Industries
- Sugar Mill
- Petrochemical Industries
- Fertilizer Plant

Mfg. & Testing Standard:

- Design Standard : BS 5351 / BS 5352 /
API 602 /ASME B 16.34
- Testing Standard : BS 6755 Part I / API 598
- Screwed Weld End : ANSI B 1.20.1 /
ANSI B 2.1 (BSP/NPT)
- Socket Weld End : ANSI B 16.11
- Butt Weld End : ANSI B 16.25

Material of Construction:

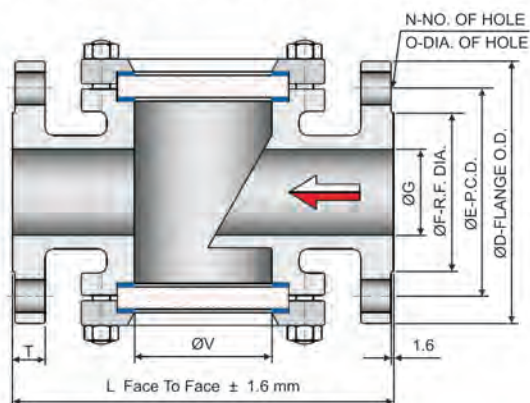
- Body & Bonnet**
ASTM A 105 (Forged Carbon Steel)
ASTM A 182 F 304/316 (Forged S.S. 304/316)
ASTM A 182 F 304L/316L (Forged S.S. 304L/316L)
ASTM A 182 F 11/22 (Forged Alloy Steel)
- Trims**
AISI 410 (13% Cr. Steel)
AISI 304/316 (S.S. 304/316)
AISI 304L/316L (S.S. 304L/316L)

DOUBLE WINDOW TYPE SIGHT GLASS

Double Window Type Sight Glass design offers easy replacement of glasses without dismantling the whole Sight Glass assembly from process line.

Salient Features & Option:

Durable Construction * Large View Area * Wide View Area to Inspect the Fluid * Toughened Glass * Available in C.S./S.S. 304/316/304L/316L * Sizes Range from 25MM To 300MM * Pressure Rating PN 6 / PN 10 / PN 16 * Design & Testing As Per Mfg. Standard * End Connections as per ANSI B 16.5, Class 150* Fully Jacketed Double Window Type Sight Glass.

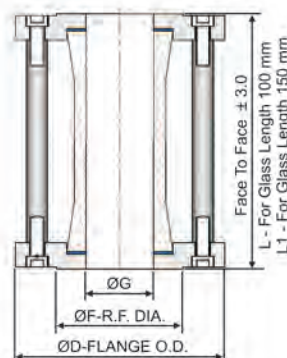
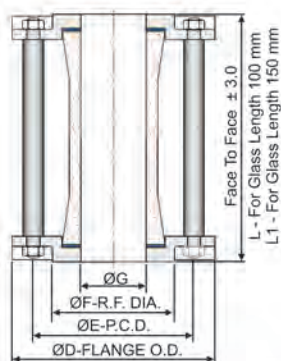


Double Window Type Sight Glass

Size	25	40	50	65	80	100
L-F to F	160	200	230	290	310	350
ØG-NB	25	38	50	63	75	100
ØV-View	48	65	75	100	125	150
ØD	108	127	152.4	177.8	190.5	228.6
ØE	79.25	98.4	120.6	139.7	152.4	190.5
ØF	50.8	73	92.1	104.7	127	157.2
N	4	4	4	4	4	8
ØO	15.8	15.8	19	19	19	19
T	11.2	14.5	15.8	17.5	19	23.8

Tubular Full View Type Sight Glass

J D Sight Glass has been designed with outstanding quality and the feature you need to streamline your operations. Full view types Sight Glass are widely used for corrosive chemicals, acids and colored liquids. Sight Glass are generally used in processes, where spot required to detect presence of media, or to visual inspect color, clarity, turbidity, or other critical characteristics.



Dimensions (Rating - PN 6)

SIZE	25	40	50	65	80	100
L	116	117	117	118	120	125
L1	166	167	167	168	169	174
ØG	25	38	50	63	75	100
ØD	108.0	127.0	152.4	177.8	190.5	228.6
ØE	79.2	98.5	120.6	139.7	152.4	190.5
ØF	50.8	73.0	92.1	104.7	127.0	157.2
N	4	4	4	4	4	4
ØO	15.8	15.8	19	19	19	19

Dimensions (Rating - PN 6)

SIZE	25	40	50	65	80	100
L	122	124	126	128	130	134
L1	172	174	176	178	180	180
ØG	25	38	50	63	75	100
ØD	108.0	127.0	152.4	177.8	190.5	228.6
ØE	79.2	98.5	120.6	139.7	152.4	190.5
ØF	50.8	73.0	92.1	104.7	127.0	157.2
N	4	4	4	4	4	4
ØO	15.8	15.8	19	19	19	19

Salient Features:

Easy Maintenance * Lower Cost * Wide View Area to Inspect the Fluid * Tempered Borosilicate Glass* Available in C.S./S.S. 304/316/304L/316L * Glass Length available from 100MM To 200MM * Sizes Range from 15MM To 200MM * Pressure Rating PN 6 * Design & Testing As Per Mfg. Standard * End Connections as per ANSI B 16.5, Class 150.

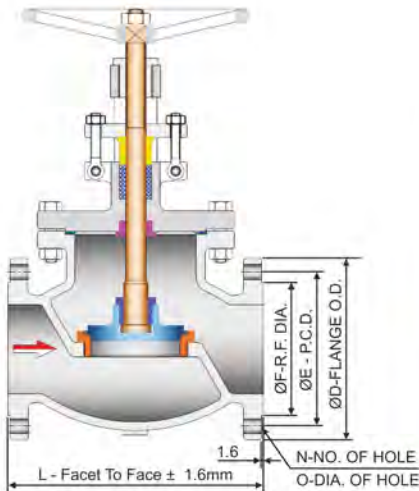
J D Gate Valves are of OS & Y Type, Rising Stem, Bolted Bonnet Construction.

Material of Construction:

Body & Bonnet	A 126 GR. B/A 216 GR. WCB/ A 351 GR. CF 8/8M/CF 3/3M
Seat & Disc	C.S.+13% CR. FACE /CA 15/AISI 410/ AISI 304/316/304L/316L
Stem, Back Seat & Gland	AISI 304/316/304L/316L/410
Gasket	CAF/GRAPHITE ASBESTOS/PTFE/ SP. WOUND WITH CAF/GRAPHITE FILLED
Gland Packing	GRAFOIL/BRAIDED ASBESTOS/PTFE
Hand Wheel	S.G. IRON/DUCTILE IRON
Fasteners	C.S./B7/2H/SS 304/316

Standard of Compliance

Valve Design	: BS 1873 / ANSI B 16.34
Pressure Testing	: BS 6755 Part I
Pressure-Temp. Rating	: ANSI B 16.34
Face To Face	: ANSI B 16.10 / DIN STD.
Flange Drilling	: ANSI B 16.5 / BS 10 Table / DIN / IS Std.
Butt Weld End	: ANSI B 16.25
Socket Weld End	: ANSI B 16.11
Screwed End	: ANSI B 1.20.1 / ANSI B 2.1 (BSP/NPT)

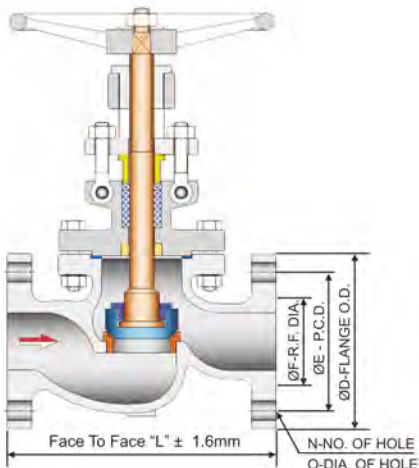


Test	Test Pressure (Kg./Cm ²)			Air
	Hydraulic			
Class	150#	PN 40	800#	
Body	30	60	211	
Seat	21	40	141	5.6
Back Seat	21	40	141	

Dimensions (Class 150)

Size		L	ØD	ØE	ØF	N	ØO
Inch	DN	F to F					
1"	25	127	108	79.3	50.8	4	15.8
1½"	40	165.1	127	98.4	73	4	15.8
2"	50	203	152.4	120.6	92.1	4	19
2½"	65	216	177.8	139.7	104.7	4	19
3"	80	241	190.5	152.4	127	4	19
4"	100	292	228.6	190.5	157.2	8	19
5"	125	356	254	215.9	185.7	8	22.2
6"	150	406	279	241.3	215.9	8	22.2
8"	200	495	343	298.4	269.9	8	22.2
10"	250	623	406	362	323.8	12	25.4
12"	300	699	483	431.8	381	12	25.4

*Contact Factory for Class 300 Dimensions



Dimensions (Table - H/F)

Size		L	ØD	ØE	ØF	N	ØO
Inch	DN	F to F					
1"	25	160	121	87	50.8	4	15.8
1½"	40	200	140	105	73	4	15.8
2"	50	230	165	127	92.1	4	19
2½"	65	290	184	146	104.7	8	19
3"	80	310	203	165	127	8	19
4"	100	350	229	190	157.2	8	19
6"	150	480	305	260	215.9	8	22.2
8"	200	600	368	324	269.9	8	22.2
10"	250	730	432	381	323.8	12	25.4
12"	300	850	489	438	381	12	25.4

GATE VALVE | ✓

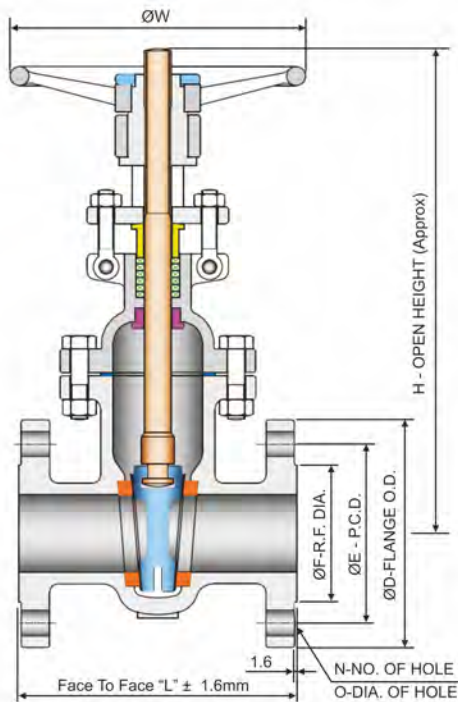
J D Gate Valves are of OS & Y Type, Rising Stem, Bolted Bonnet Construction.

Material of Construction:

Body & Bonnet	A 126 GR. B/A 216 GR. WCB/ A 351 GR. CF 8/8M/CF 3/3M
Seat	C.S.+13% CR. FACE /CA 15/AISI 410/ AISI 304/316/304L/316L
Wedge (Gate)	C.S.+13% CR. FACE/CA 15/CF 8/8M
Stem, Back Seat & Gland	AISI 304/316/304L/316L/410
Gasket	CAF/GRAPHITE ASBESTOS/PTFE/ SP. WOUND WITH CAF/GRAPHITE FILLED
Gland Packing	GRAFOIL/BRAIDED ASBESTOS/PTFE
Hand Wheel	S.G. IRON/DUCTILE IRON
Fasteners	C.S./B7/2H/SS 304/316

Standard of Compliance

Valve Design	: API 600/602/603/IS 780
Pressure Testing	: API 598
Pressure-Temp. Rating	: ANSI B 16.34
Face To Face	: ANSI B 16.10
Flange Drilling	: ANSI B 16.5 / BS 10 Table / DIN / IS Std.
Butt Weld End	: ANSI B 16.25
Socket Weld End	: ANSI B 16.11
Screwed End	: ANSI B 1.20.1 / ANSI B 2.1 (BSP/NPT)



Test	Test Pressure (Kg./Cm ²)		
	Hydraulic		Air
Class	150#	300#	800#
Body	30	77	211
Seat	21	53	141
Back Seat	21	53	141



Dimensions (Class 150)

Size	Inch	1"	1½"	2"	2½"	3"	4"	5"	6"	8"	10"	12"
	DN	25	40	50	65	80	100	125	150	200	250	300
L-F to F		127	165	177.8	191	203	228.6	254	266.7	292.1	330.2	355.6
ØD		108	127	152.4	177.8	190.5	228.6	254	279	343	406	483
ØE		79.3	98.4	120.6	139.7	152.4	190.5	215.9	241.3	298.4	362	431.8
ØF		50.8	73	92.1	104.7	127	157.2	185.6	215.9	269.9	323.8	381
N		4	4	4	4	4	8	8	8	8	12	12
ØO		15.8	15.8	19	19	19	19	22.2	22.2	22.2	25.4	25.4
H		230	345	370	445	485	520	685	725	1000	1250	1385
ØW		125	200	200	255	255	292	355	355	420	420	510

*Contact Factory for Class 300 Dimensions

CHECK VALVES

(NON RETURN VALVE) SWING CHECK VALVE / LIFT CHECK VALVE

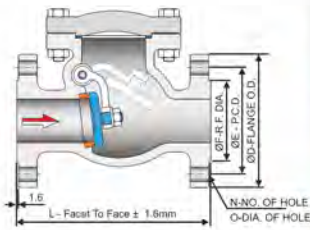
J D Check Valves [NRV] are Swing Type and Bolted cover Construction.

Standard of Compliance

Valve Design	: BS 1868/DIN Std. (Swing & Lift Check Valve) API 6D (Wafer Type Check Valve)
Pressure Testing	: BS 6755 Part I (Swing & Lift Check Valve) API 598 Wafer Type Check Valve
Pressure Temp. Rating	: ANSI B 16.34
Face To Face	: ANSI B 16.10 / API 6D
Flange Drilling	: ANSI B 16.5 / BS 10 Table / DIN / IS Std.

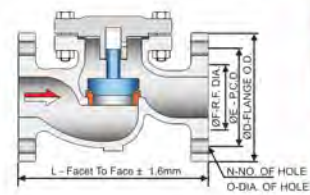
Material of Construction:

Body & Bonnet	A 126 GR. B/A 216 GR. WCB/ A 351 GR. CF 8/8M/CF 3/3M
Seat & Disc	C.S.+13% CR. FACE /CA 15/AISI 410/ AISI 304/316/304L/316L
Gasket	CAF/GRAPHITE ASBESTOS/PTFE/ SP. WOUND WITH CAF/GRAPHITE FILLED
Fasteners	C.S./B7/2H/SS 304/316



Dimensions (Class 150) - Swing Check

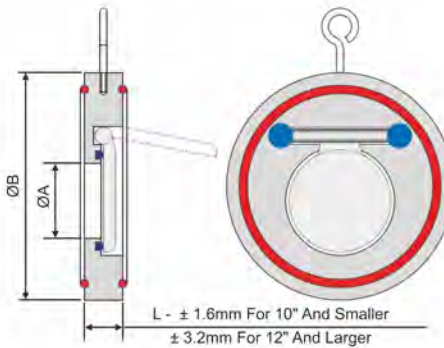
SIZE	INCH	1"	1½"	2"	2½"	3"	4"	5"	6"	8"	10"	12"
DN		25	40	50	65	80	100	125	150	200	250	300
L		127	165	203	216	241	292	330	356	495	623	399
Drilling Details	ØD	108	127	152.4	177.8	190.5	228.6	254	279	343	106	483
	ØE	79.3	98.4	120.6	139.7	152.4	190.5	215.9	241.3	296.4	362	431.6
	ØF	50.8	73	92.1	104.7	127	157.2	185.7	215.9	269.9	323.8	381
	N	4	4	4	4	4	8	8	8	8	12	12
ØO		15.8	15.8	19	19	19	19	22.2	22.2	22.2	25.4	25.4



Dimensions (Table-H/F) - Lift Check

SIZE	INCH	1"	1½"	2"	2½"	3"	4"	6"	8"	10"	12"
DN		25	40	50	65	80	100	150	200	250	300
L		160.0	200.0	230.0	290.0	310.0	350.0	480	600.0	730.0	850.0
Drilling Details	ØD	121.0	140.0	165.0	184.0	203.0	229.0	305.0	368.0	432.0	489.0
	ØE	87.0	105.0	127.0	146.0	165.0	190.0	260.0	324.0	381.0	438.0
	ØF	50.8	73.0	92.1	104.7	127.0	157.2	215.9	269.9	323.8	381.0
	N	4	4	4	8	8	8	8	8	12	12
ØO		15.8	15.8	19	19	19	19	22.2	22.2	25.4	25.4

Single Plate Wafer Type Swing Check valve



Dimensions (PN6/10/16/25/Class 150)

Size	Inch	1"	1½"	1½"	2"	2½"	3"	4"	5"	6"	8"	10"	12"	14"	16"	18"	20"
DN		25	32	40	50	65	80	100	125	150	200	250	300	350	400	450	500
L-F to F		14	14	14	19	19	19	19	19	19	28.5	28.5	38.1	44.4	50.8	60.3	63.5
ØA		10	14	19	30	40	52	71	93	114	157	195	230	270	310	360	406
ØB		65	75	84	97	110/ 128*	129	180	192	214	272	329	379/ 408#	439	190/ 513#	540/ 560@	595/ 618@

NOTE:

- * : Suit Only For DIN 2542 (PN 10)/DIN 2543 (PN 16) Flanges
- # : Suit Only For ANSI B 16.5, Class 150 Flanges
- @ : Suit Only For BS 10 Table D & E Flanges
- ⊖ : Suit Only For Din 2543 (PN 16) Flanges

Test Pressure (Kg./Cm²)

Test	Hydraulic				
Class	150#	300#	800#	PN10	PN16
Body	30	77	211	15	24
Seat	21	53	141	10	16

"Y" TYPE STRAINER

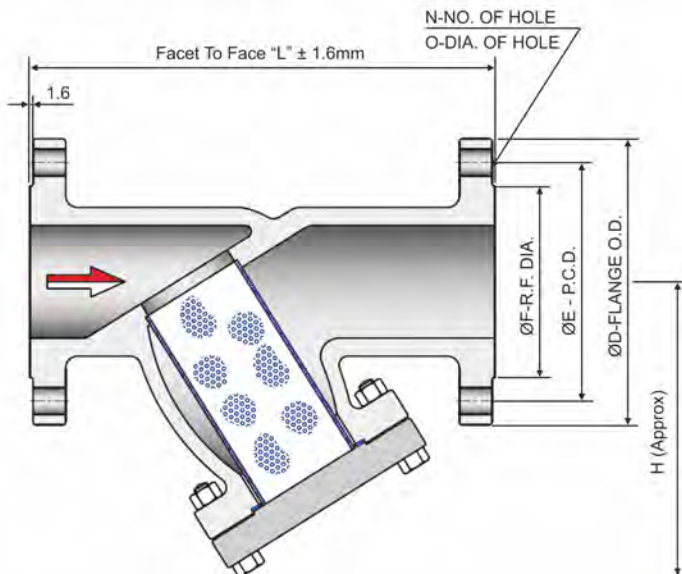
"Y" Type strainers are named after their shape and normally used for coarse filtration, but with large filtration area can be used with fine mesh also.

"Y" Strainer is used for the removal of foreign bodies in pipe line and allows line trouble free service and freedom from costly repairs or replacement for large area straining perforated screen lined with wire mesh can be used. The strainer improves the clearance in the medium, and prolongs the life of valves; protects expensive pumps, meters and other equipments. It is suitable for water, Air, Gas, petroleum, steam and other fluids.

"Y" Strainer has the advantage of being able to be installed in either a horizontal or vertical position. However, in both cases, the screening element must be on the downside of the strainer body so that entrapped solids particles can be properly collected.

Standard of Compliance

Design Std.	: ANSI B 16.34
Pressure Testing	: API 598
Face to Face	: ND 40 Std.
Flange Drilling	: ANSI B 16.5 / BS 10 Table / DIN / IS Std.
Screwed End	: ANSI B 1.20.1 / ANSI B 2.1 (BSP/NPT)
Socket Weld End	: ANSI B 16.11
Butt Weld End	: ANSI B 16.25
Pressure Rating	: 125# / 150# / 300#
Size Range	: 15mm (½") To 300mm (12")



Dimensions (Class 150)

Size	Inch	1"	1½"	2"	2½"	3"	4"	6"	8"	10"	12"
	DN	25	40	50	65	80	100	150	200	250	300
L-F to F		160	200	230	290	310	350	480	600	730	850
ØD		108	127	152.4	177.8	190.5	228.6	279	343	406	483
ØE		79.3	98.4	120.6	139.7	152.4	190.5	241.3	298.4	362	431.8
ØF		50.8	73	92.1	104.7	127	157.2	215.9	269.9	323.8	381
N		4	4	4	4	4	8	8	8	12	12
ØO		15.8	15.8	19	19	19	19	22.2	22.2	25.4	25.4
H		11.2	14.5	15.8	17.5	19	23.8	25.4	28.4	30.23	31.75

Applications:

- Petrochemical Industries & Refinery Project
- Chemical Industries
- Power Plants
- Sugar Industries
- Pulp & Paper Mill
- Cement Plant
- Pharmaceutical Industries
- Air Conditioning
- Fertilizer Plants
- Allied Industries



BUTTERFLY VALVES

RUBBER LINED, CENTER DISC, SLIM-SEAL DESIGN, |

WAFER - FLANGELESS, SANDWICH TYPE

J D High Performance Slim-Seal, Concentric disc design Butterfly Valves are reliable, maintenance free shutoff with permanently gas-tight seal with an integrally moulded or replaceable elastomer body liner. J D Butterfly Body having two nos. flange locating holes for sizes up to 12" (300mm) and from and above 04 nos. for easy alignment of valve during installation. Flange locating hole conform to as per ANSI B 16.5 Class 125 & Class 150 / BS 10 Table D, E, F / PN 6, PN 10, PN 16 or other international standard.

This butterfly valves excess other conventional valves such as gate valve and globe valves in all aspects, especially in terms of light weight, less number of component, no flange gaskets required and economical operation and maintenance costs

Standard of Compliance

Valve Design : BS 5155 / API 609
 Pressure Testing : BS 6755 Part I / API 598
 Face To Face : ANSI B 16.10
 End Connection : Wafer Type, Flangeless, Sandwich Type
 Flange Drilling : ANSI B 16.5 / BS 10 Table / DIN / IS Std.
 Pressure Rating : PN 10 / PN 16

Special Options:

P.T.F.E. (PFA/FEP) Lined Butterfly Valve
 Gear / Pneumatic Rotary Actuator Operated
 Moulded / Replaceable Seat option
 Damper Type Butterfly Valve for High Temperature Air Service

Material of Construction:

Parts Name	Materials
Body	ASTM A 126 GR. B / Ductile Iron/ ASTM A 216 GR. WCB/ ASTM A 351 GR. CF 8 / CF 8M / CF 3 / CF 3M
Disc	ASTM A 126 GR. B / Ductile Iron/ With Nylon Coating/ ASTM A 216 GR. WCB/ ASTM A 351 GR. CF 8 / CF 8M / CF 3 / CF 3M Aluminium Bronze
Body Seat (Liner)	Nitrile / EPDM / Neoprene / NBR / Silicon / Viton / Hypalon / PTFE
Gland Seal	Nitrile / EPDM / Neoprene / NBR / Silicon / Viton / Hypalon
Stem	AISI 410 / 304 / 316 / 304L / 316L
Hand Lever	C.S. / S.S.
Fasteners	C.S. / S.S. 304/ 316

Salient Feature:

Concentric, Slim-Seal Design
 Soft Seat Design, Zero Leakage
 Less Weight, Easy To Install
 Lower Torque with any fluid
 Permanently tight closure
 Bi-Directional Valve
 Smooth, Easy Operation
 Long Service Life
 Maintenance Free Version
 Suitable for On-Off as well Throtting Service
 Wafer Design Body



Dimensions (Rating - PN10/PN16)

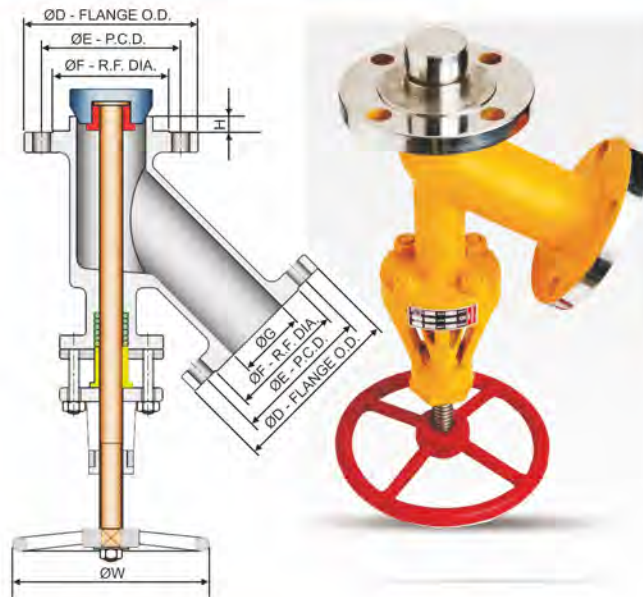
Size	Inch	1½"	2"	2½"	3"	4"	5"	6"	8"	10"	12"	14"	16"	18"	20"	24"	28"
	DN	40	50	65	80	100	125	150	200	250	300	350	400	450	500	600	700
L-F to F		33	43	46	46	52	56	56	60	68	78	92	102	114	127	154	229
ØG-NB		38	50	63	76	87	107	125	203	254	305	350	400	450	500	600	675
A		98	107	113	125	144	175	186	220	251	280	353	365	421	465	516	568
B		66	68	78	87	107	125	148	171	217	245	345	367	408	444	494	545

FLUSH BOTTOM VALVE

Flanged End, Rating-150#

JD Flush bottom valves (Tank valves) are designed to provide drainage and dead space free shutoff for reactors, vessels and storage tanks. The dead space free shutoff is accomplished by placing the valve seat flush with the bottom of the vessel. This eliminates any buildup of product within the vessel nozzle itself.

Flush Bottom Tank Valve (Y Type)



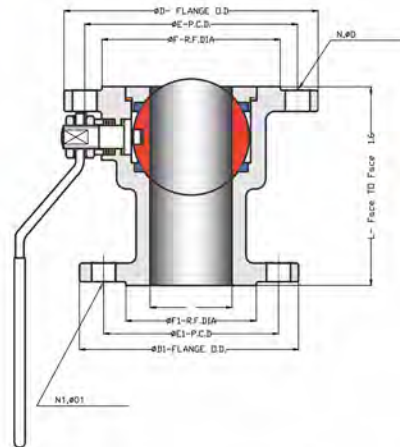
Feature:

- ~ Stronger Heavy Duty Construction
- ~ Flexible design Capabilities allow fitting any vessel nozzle configuration
- ~ Deep stuffing box is providing to assure tightness and maximum packing life
- ~ Precision Stem Packing Chamber
- ~ Self Aligning Two Piece Gland
- ~ Ground Finish Stem
- ~ Steam or Cooling Jacketed Valve

Dimensions (Class 150)

Size	Inch	1"x1"	1½"x1½"	2"x2"	2½"x2½"	3"x3"	4"x4"	6"x6"
DN	25x25	40x40	50x50	65x65	80x80	100x100	150x150	
ØD	108	127	152.4	177.8	190.5	228.6	279	
ØE	79.3	98.4	120.6	139.7	152.4	190.5	241.3	
ØF	50.8	73	92.1	104.7	127	157.2	215.9	
ØG-NB	25	38	50	63	75	100	150	
N	4	4	4	4	4	8	8	
ØO	15.8	15.8	19	19	19	19	22.2	
ØW	150	200	240	240	250	490	490	
H	10	10	10	10	10	10	10	

Flush Bottom Ball Valve



Test Pressure (Kg./Cm2)

Test	Hydraulic	Air
Class	150#	
Body	30	
Seat	21	5.6

Dimensions (Class 150)

Size	40x25	50x40	65x50	80x65	100x80	150x100	200x150
L-F TOF	107	118	127	140	165	203	292.6
ØD	127	152.4	177.8	190.5	228.6	279	342.9
ØE	98.4	120.6	139.7	152.4	190.5	241.3	298.45
ØF	73	92.1	104.7	127	157.2	215.9	269.75
N	4	4	4	4	8	8	8
ØO	15.8	19	19	19	19	22.5	22.5
ØG-NB	25	38	50	63	75	100	150
ØD1	108	127	152.4	177.8	190.5	228.6	279
ØE1	79.3	58.4	120.6	139.7	152.4	190.5	241.3
ØF1	50.8	73	92.1	104.7	127	157.2	215.9
N1	4	4	4	4	4	8	8
ØO1	15.8	15.8	19	19	19	19	22.5

Special Purpose Valves

					
Y Type Flush Bottom Tank Valve	Jacketed Sight Glass	Pneumatic Control Valve	Butterfly Valve Electrical Act. Operated	TD-3 Steam Trap	Disc Check Valve
					
Wafer Type Ball Valve	Modulating Type Wafer Ball Valve	3 Way Jacketed Ball Valve	Cryogenic Ball Valve	2 Way Pne. Operated Cryogenic Ball Valve	3 Way Pne. Operated Cryogenic Ball Valve

Corporate Clients

Through our OEM Clients

								
---	---	---	---	---	---	---	---	---

Exports

													
---	---	---	---	---	---	---	---	---	--	---	---	---	---



Approved by BVQI For
Fire Safe
Ball Valve









Decide with Confidence

Durga Engineering Co.